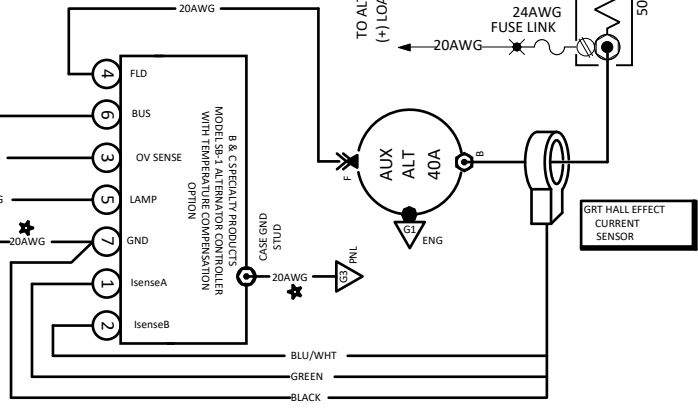
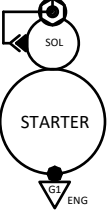
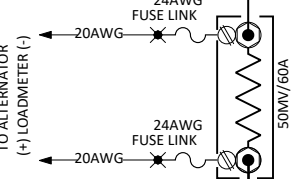
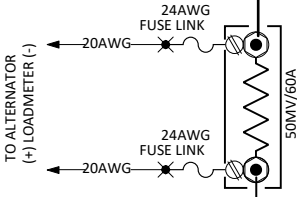
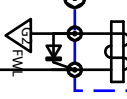
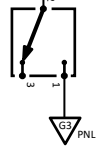
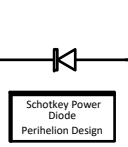
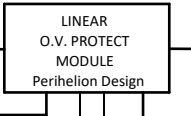
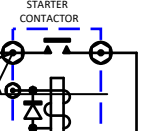
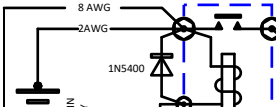
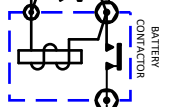
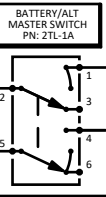
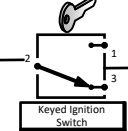


Title	C-GROK – Battery / Alternator			
Author	Les Kearney			
File	H:\RV10\GROK\Electrical\Wiring\ESysV5.1.vsd			
Version	5.1	Date	2020 Jun 08	1-Pwr

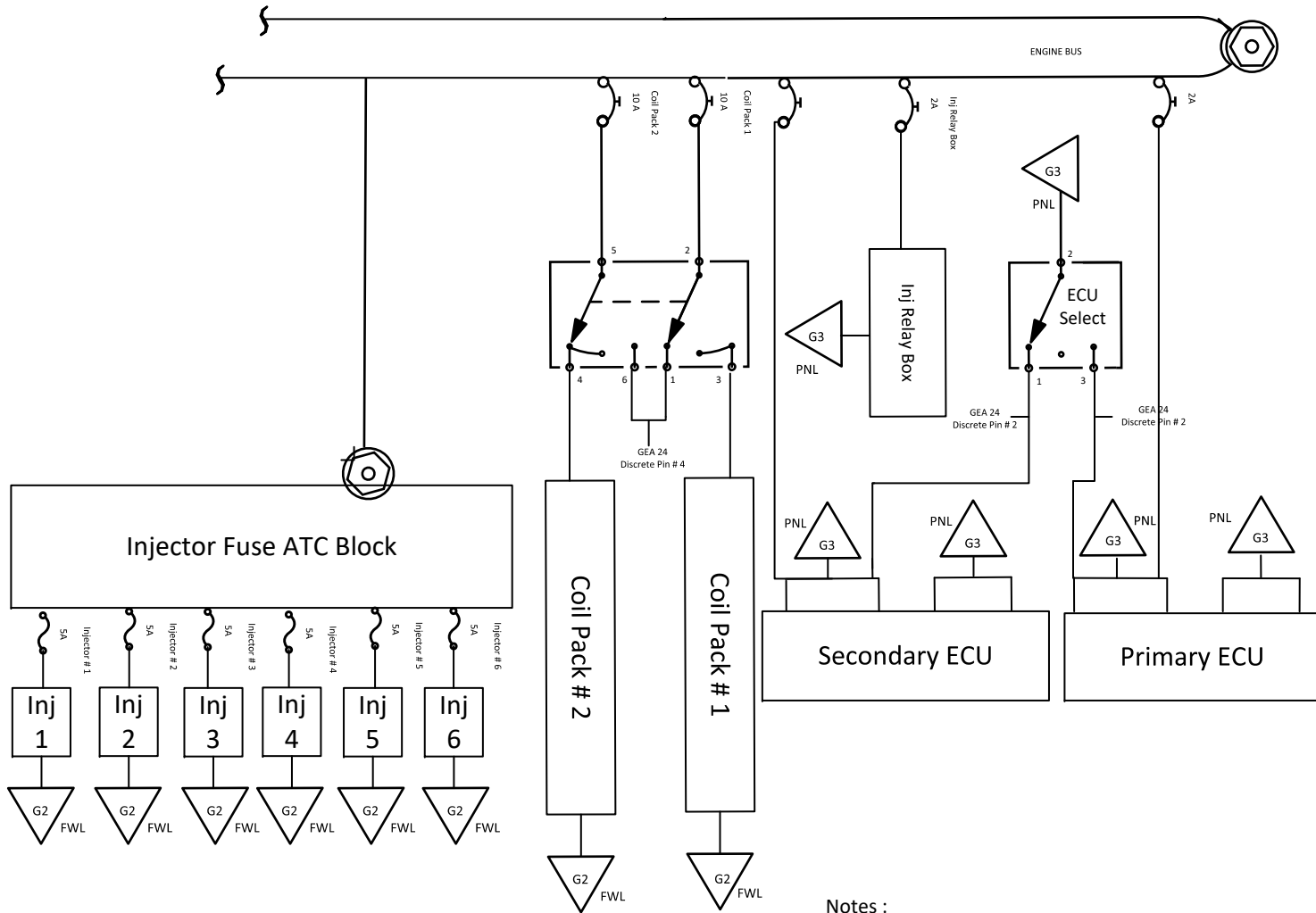
- = INSTRUMENT PANEL GROUND BUS
- = ENGINE CRANKCASE GROUND
- = FIREWALL
- = AVIONICS GROUND BUS
- = BATTERY GROUND IN TAIL CONE
- = 2AWG EQUAL STRAP
- = BRAIDED BOND STRAP
- = 6 INCHES OR LESS
- = REDUNDANT GROUNDS DO NOT SHARE CONDUCTORS OR TERMINALS



ECU / Engine Bus Switch
PN: 1TL-2D



SDSEFI & G3X Dual ECU / Coil Pack / Injector Power & Ground Wiring

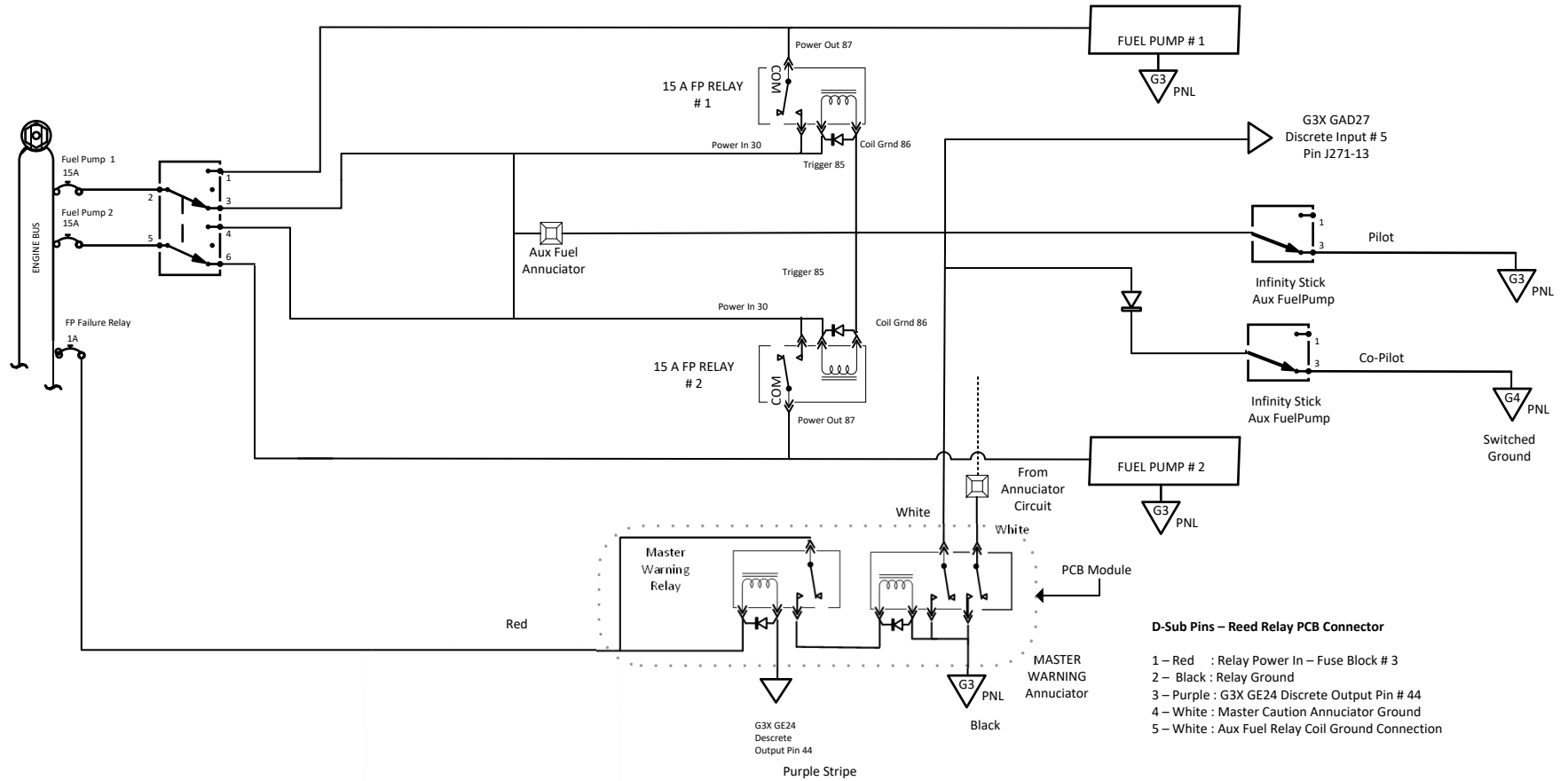


Notes :

- Switches are
Honeywell Mil-Spec PN # 2T11-12A DPDT (On-Both-On)
Honeywell Mil-Spec PN # 1T11-1A SDDT (On-Off-On)
- Only Power / Grounds shown

Title	C-GROK – G3X & SDS		
Author	Les Kearney		
	H:\RV10\GROK\Electrical\Wiring\ ESysV51.vsd		
Version	5.2	Date	2020 Jul 26
			2 – DUAL ECU

Fuel Pump Wiring Schematic – Integrated with G3X

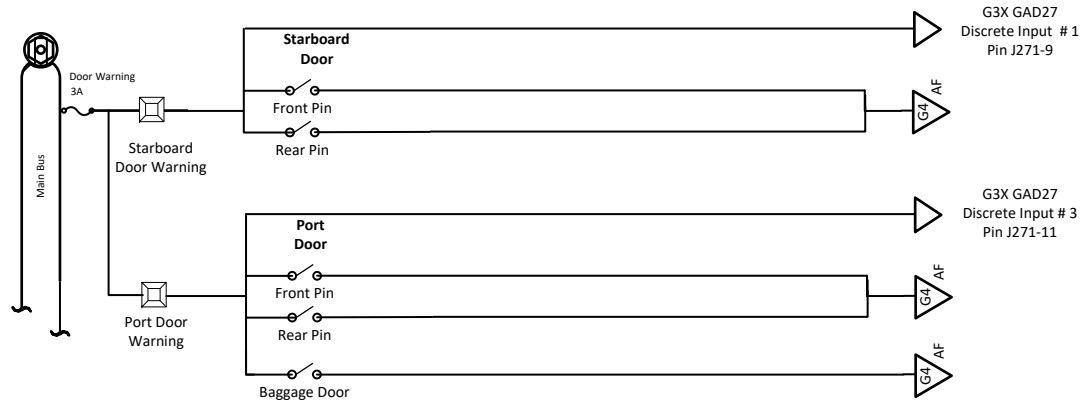


Notes :

- FP Relays : TE Connectivity Part # 1432772-1 / Digikey PB685-ND
- Master Warning Relay 1 (SPST) : Littlefuse Inc Part # HE721A1210 / Digikey HE103-ND
- Master Warning Relay 2 (DPST): Littlefuse Inc Part # HE722A1210 / Digikey HE109-ND
- Littlefuse relays have integral diodes
- TE Connectivity Power Relays are wired with Perhelion Design bi-direction zener diodes

Title	C-GROK – G3X Fuel Pumps			
Author	Les Kearney			
	H:\RV10\GROK\Electrical\Wiring\ESysV51.vsd			
Version	5.1	Date	2020 Jun 08	3-G3X & FUEL

G3X Door Warning

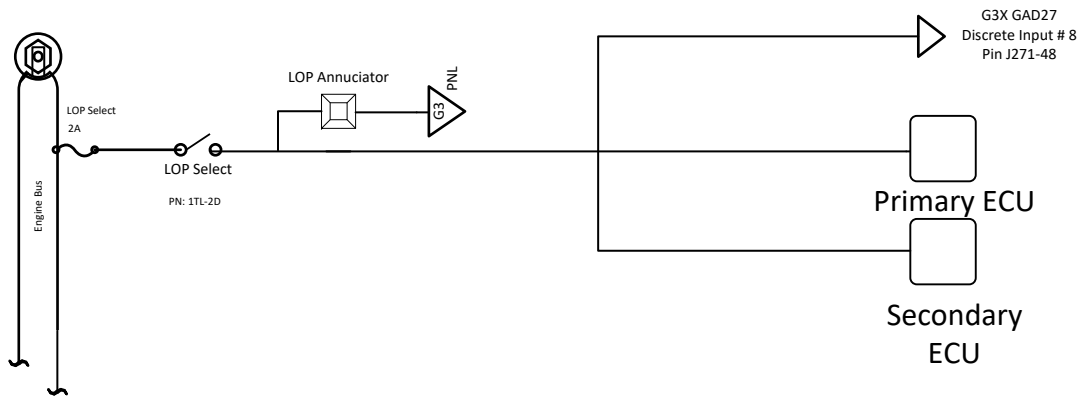


Notes :

- Door Pin Reed Switches FP Relays : Littelfuse Inc. Part # 59025-040 / Digikey 59025-040-ND

Title	C-GROK – Door Warning		
Author	Les Kearney		
	H:\RV10\GROK\Electrical\Wiring\ESysV51.vsd		
Version	5.1	Date	2020 Jun 08 4-G3X & Doors

G3X LOP Wiring



Title	C-GROK – LOP Annunciator			
Author	Les Kearney			
	H:\RV10\GROK\Electrical\Wiring\ESysV51.vsd			
Version	5.1	Date	2020 Jun 08	5-G3X & LOP